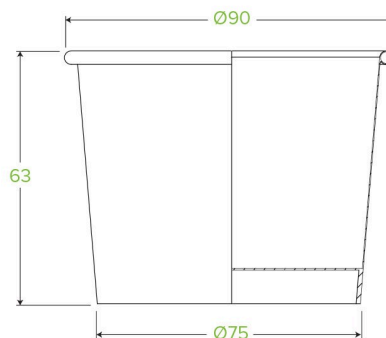


250ml / 8oz White BioBowl BSC-8



Carton quantity: 1000	Sleeves per carton: 20	Units per sleeve: 50
Carton Size LxWxH (cm): 46.5 x 38.5 x 47.5	Carton gross weight (kg): 9.500000	Carton barcode: 19344062000423
Raw material: Paper	Lining/coating: Bioplastic - Ingeo®, PLA	Window material: None
Printing Type: Offset	Inks: Food Contact Safe Inks	Brim fill capacity (ml): 270
Dimensions top LxW (mm): 90x90	Dimensions base LxW (mm): 75x75	Product Depth: 63.0
Product weight (g): 8.4	Thickness: 228gsm + 35gsm PLA	Use: Hot and cold
Manufactured: Taiwan	Customise: Print	MOQ custom: 25000
Quality product certified: ISO 9001	Factory food safety certified: BRC, HACCP	Home compostable: No
Industrially compostable: Certified to AS4376 Australian Standards, Certified to EN13432 European Standard	Recyclable: No	