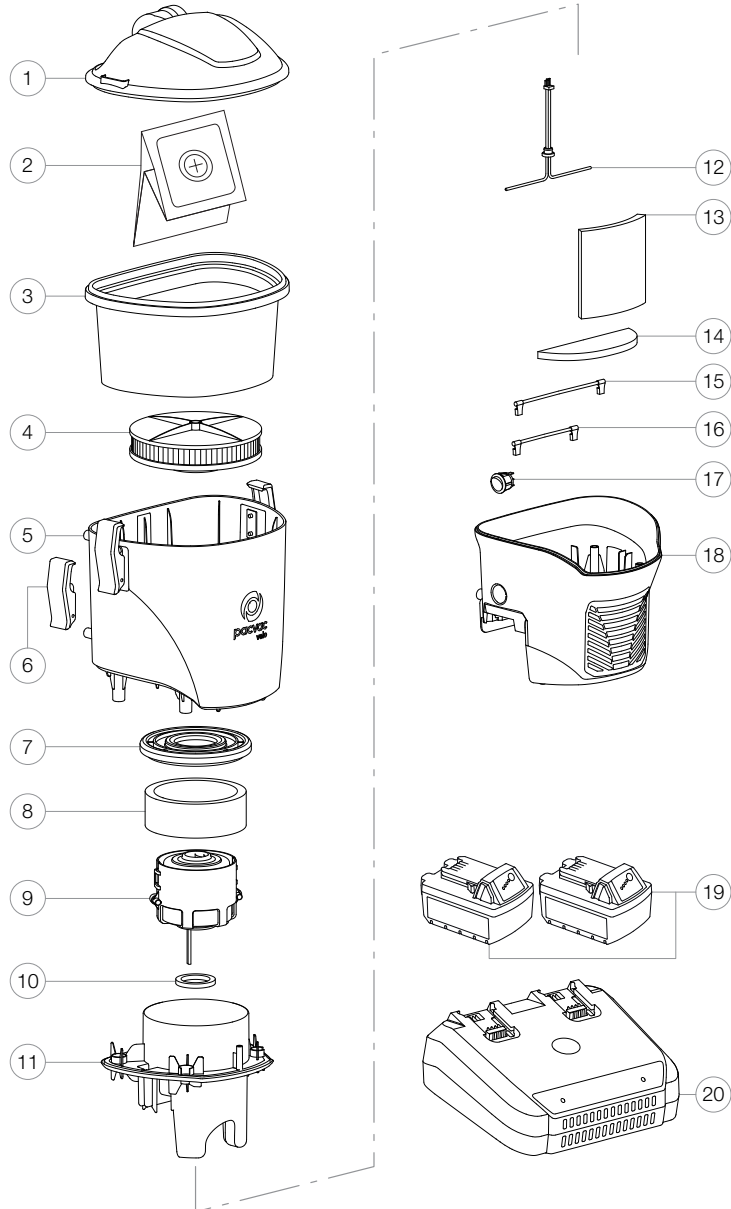





Parts Profile

Velo - 01VE001VB



-  Plug Type I
-  Plug Type G
-  Plug Type F

Spare Parts

Quote these part numbers when ordering spare parts.

No.	Part Name	Part No.
1.	Clear lid 2.5L	LID002
2.	Disposable paper sealed dust bag 2.5L - Pk10	DUB026
3.	Reusable SMS dust bag 2.5L - Grey	DUB024
4.	Pre-motor HEPA hi-flow filter	FIL025
5.	Canister assembly	CAN017
6.	Latch assembly	LAT007
7.	Rubber motor cover 127mm	COV020
8.	Insulation foam 115mm	INS015
9.	250W Motor assembly	MOT016
10.	Rubber gasket motor 45mm	GAS012
11.	Intermediate housing assembly	INH013
12.	Wiring motor terminal 260mm	WIR007
13.	Exhaust filter	FIL026
14.	Insulation foam 145mm	INS014
15.	Wiring switch terminal 140mm	WIR008
16.	Wiring switch terminal 100mm	WIR009
17.	Round switch on/off	SWI008
18.	Motor housing	HOU008
19.	Rechargeable lithium-ion battery 18V 108Wh	BP001BP01A01
20a.	Battery charger plug type I	BC001BC01A02
20b.	Battery charger plug type G and F	BC001BC01A03

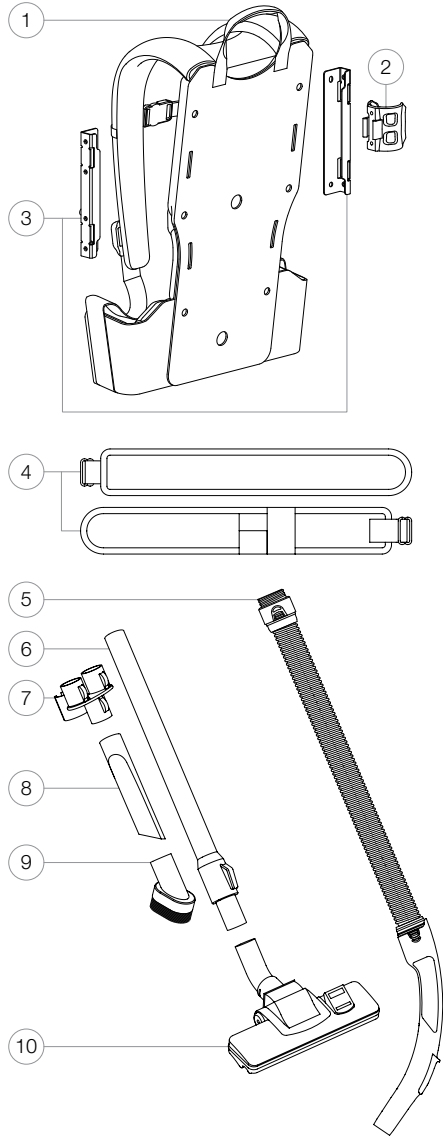
Specifications

Model	01VE001VB
Motor	250W single-stage flow through BLDC
Volt/Frequency	36V DC
Noise Level (at 1.5m)	65dB(A)
Filtration	4 stage, HEPA rated hi-flow filter
Volumetric Airflow (Max.)	21L/s
Capacity	2.5L
Weight	4.6kg (inc. battery packs, ex. hose assembly)
Power Source	Rechargeable lithium-ion battery packs - 2 x 18V DC
Vibration Level	≤2.5 m/s ²

*Technical specifications, part numbers and part designs are subject to change without notice.

Parts Profile

Velo - 01VE001VB



Spare Parts

Quote these part numbers when ordering spare parts.

No.	Part Name	Part No.
1.	Harness	HAR003
2.	Wand holder clip	HOL025
3.	Steel plate connector	PLA004
4.	Harness waistband	HAR005
5.	Hose assembly screw fit bent 950mm	HOA012
6.	Aluminium telescopic wand 810mm	WND006
7.	Wand tool holder	CLI007
8.	Crevice tool 32mm	ACC002
9.	Dusting brush 32mm	ACC001
10.	Combination floor tool 260mm	FLT016